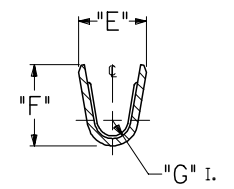
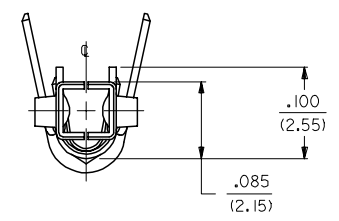
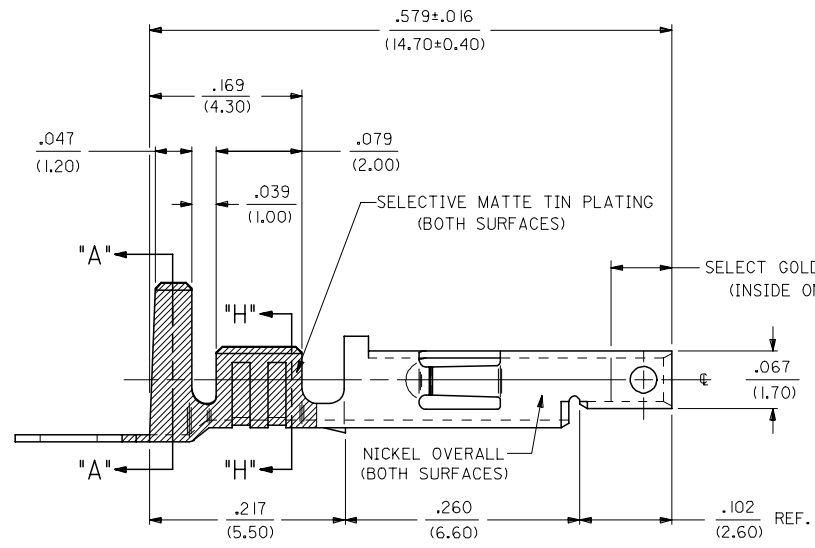


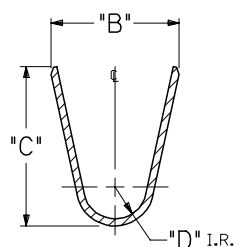
- NOTES:**
1. PART DESIGNED IN METRIC.
  2. TERMINAL FOR USE WITH 5557 SERIES HOUSINGS.
  3. MATES WITH 5558, 5566 AND 5569 SERIES CONNECTORS.
  4. REFER TO DWG. NO. CS-5556\*/5558\* FOR CRIMP SPECIFICATIONS.
  5. PRODUCT SPECIFICATION AND PROCESSING PARAMETERS SEE: PS-5556-001, PS-5556-002, PS-5556-003

- MATERIAL:**
- A. CDA 260 BRASS, .0080±.0004/(0.203±0.010) THICK.
  - B. CDA 510 PHOS. BRONZE .0080±.0004/(0.203±0.010) THICK.

- PLATING:**
- \*A. SELECTIVE GOLD PLATE .000030/(0.00076) MIN., AND SELECTIVE MATTE TIN .000100/(0.00254) OVER .000050/(0.00127) NICKEL OVERALL.
  - \*B. SELECTIVE GOLD PLATE .000015/(0.00038) MIN., AND SELECTIVE MATTE TIN .000100/(0.00254) OVER .000050/(0.00127) NICKEL OVERALL.
  - \*C. SELECTIVE GOLD PLATE .000050/(0.00127) MIN., AND SELECTIVE MATTE TIN .000100/(0.00254) OVER .000050/(0.00127) NICKEL OVERALL.
  - \*THE PRIMARY SHIPPING CARTON WILL BE LABELED "COMPLIANT TO RoHS DIRECTIVE 2002/95/EC AND ELV ANNEX II OF DIRECTIVE 2000/53/EC." CARTONS WITHOUT THIS LABEL MAY CONTAIN PRODUCT WITH TIN-LEAD PLATING.



SECT. "H-H"



SECT. "A-A"

REMOVE 28-30 GAGE EC NO: UCP2006-1559 DRAWNDONE 2006/01/11 CHKD: GPOLGAR 2006/01/12 APPR: ICOMERCI 2006/01/16	QUALITY SYMBOLS =0 =0 R.	GENERAL TOLERANCES (UNLESS SPECIFIED)		DIMENSION STYLE IN/MM		SCALE 10:1	DESIGN UNITS METRIC	THIRD ANGLE PROJECTION			
		4 PLACES ± --- ± ---	4 PLACES ± --- ± ---	DRAWN BY GEP	DATE 5/17/90	TITLE TERMINAL, MINI-FIT JR., FEMAE CRIMP, SELECT GOLD BLANK PLATE FORM					
		3 PLACES ± --- ± .010	3 PLACES ± --- ± .010	CHECKED BY RJF	DATE 5/17/90	MATERIAL NO.					
		2 PLACES ± 0.25 ± .014	2 PLACES ± 0.25 ± .014	APPROVED BY RAS	DATE 5/17/90	DOCUMENT NO.					
1 PLACE ± 0.36 ± ---	1 PLACE ± 0.36 ± ---	ANGULAR ±1/2°		SEE SHT. 2		SD-5556-GSP*		SHEET NO. 1 OF 2			
DRAFT WHERE APPLICABLE MUST REMAIN WITHIN DIMENSIONS				THIS DRAWING CONTAINS INFORMATION THAT IS PROPRIETARY TO MOLEX INCORPORATED AND SHOULD NOT BE USED WITHOUT WRITTEN PERMISSION							

13	12	11	10	9	8	7	6	5	5556	4	3	2	1
PART NO.	ENG. NO.	MAT'L.	PLATE	WIRE GAGE	QUANTITY PER REEL	DIM. "B"	DIM. "C"	DIM. "D"	DIM. "E"	DIM. "F"	DIM. "G"		
39-00-0163	5556-GSP	A	A	18-24 GA.	4,000	.142±.012 (3.60±0.30)	.177±.016 (4.50±0.40)	.035 (0.90)	.075±.012 (1.90±0.30)	.091±.016 (2.40±0.40)	.020 (0.50)		
39-00-0164	5556-GSPL												
39-00-0165	5556-GS2P												
39-00-0166	5556-GS2PL												
39-00-0167	5556-GS3P												
39-00-0168	5556-GS3PL												
NOT TOOLED	5556-GS10P												
NOT TOOLED	5556-GS10PL												
39-00-0169	5556-GS4P												
39-00-0170	5556-GS4PL												
39-00-0171	5556-GS5P												
39-00-0172	5556-GS5PL												
39-00-0173	5556-GS6P	A	B	18-24 GA.	4,000	.142±.012 (3.60±0.30)	.177±.016 (4.50±0.40)	.035 (0.90)	.075±.012 (1.90±0.30)	.091±.016 (2.40±0.40)	.020 (0.50)		
39-00-0174	5556-GS6PL												
NOT TOOLED	5556-GS11P												
NOT TOOLED	5556-GS11PL												
39-00-0175	5556-GS7P												
39-00-0176	5556-GS7PL												
39-00-0177	5556-GS8P												
39-00-0178	5556-GS8PL												
39-00-0179	5556-GS9P												
39-00-0180	5556-GS9PL												
NOT TOOLED	5556-GS12P												
NOT TOOLED	5556-GS12PL												
39-00-0181	5556-PBGS	B	A	18-24 GA.	4,000	.142±.012 (3.60±0.30)	.177±.016 (4.50±0.40)	.035 (0.90)	.075±.012 (1.90±0.30)	.091±.016 (2.40±0.40)	.020 (0.50)		
39-00-0182	5556-PBGSPL												
39-00-0183	5556-PBGS2P												
39-00-0184	5556-PBGS2PL												
39-00-0185	5556-PBGS3P												
39-00-0186	5556-PBGS3PL												
NOT TOOLED	5556-PBGS10P												
NOT TOOLED	5556-PBGS10PL												
39-00-0194	5556-PBGS4P												
39-00-0195	5556-PBGS4PL												
39-00-0196	5556-PBGS5P												
39-00-0197	5556-PBGS5PL												
39-00-0198	5556-PBGS6P	B	B	18-24 GA.	4,000	.142±.012 (3.60±0.30)	.177±.016 (4.50±0.40)	.035 (0.90)	.075±.012 (1.90±0.30)	.091±.016 (2.40±0.40)	.020 (0.50)		
39-00-0199	5556-PBGS6PL												
NOT TOOLED	5556-PBGS11P												
NOT TOOLED	5556-PBGS11PL												
39-00-0200	5556-PBGS7P												
39-00-0201	5556-PBGS7PL												
39-00-0202	5556-PBGS8P												
39-00-0203	5556-PBGS8PL												
39-00-0204	5556-PBGS9P												
39-00-0205	5556-PBGS9PL												
NOT TOOLED	5556-PBGS12P												
NOT TOOLED	5556-PBGS12PL												

**LEGEND:**  
 5556-\*\*\*GS\*P\*  
 BASE NO. \_\_\_\_\_  
 MATERIAL \_\_\_\_\_  
 BLANK= BRASS  
 PB= PHOS. BRONZE  
 GOLD, SELECT \_\_\_\_\_  
 PLATING & CRIMP SIZE COMB. \_\_\_\_\_  
 BLANK THRU IS \_\_\_\_\_  
 BLANK-PLATE-FORM VERSION \_\_\_\_\_  
 CHAIN OR LOOSE \_\_\_\_\_  
 BLANK= CHAIN \_\_\_\_\_  
 L= LOOSE \_\_\_\_\_

SEE SHEET 1 EC NO: UCP2006-1559 DRAWNDUNNE 2006/01/12 CHKD: GPOL GAR 2006/01/12 APPR: ICOMERC 2006/01/16 DESCRIPTION	QUALITY SYMBOLS	GENERAL TOLERANCES (UNLESS SPECIFIED)	DIMENSION STYLE	SCALE	DESIGN UNITS	THIRD ANGLE PROJECTION	
	$\nabla=0$ $\nabla=0$	mm INCH	IN/MM	---	METRIC		
		4 PLACES ± --- ± ---	DRAWN BY DATE	TITLE			
		3 PLACES ± --- ± ---	CHECKED BY DATE	TERMINAL, MINI-FIT JR., FEMALE, CRIMP, SELECT GOLD BLANK-PLATE-FORM			
	2 PLACES ± --- ± ---	APPROVED BY DATE	MOLEX MOLEX INCORPORATED				
	1 PLACE ± --- ± ---	MATERIAL NO.	DOCUMENT NO.				
	ANGULAR ±1/2°	DRAFT WHERE APPLICABLE MUST REMAIN WITHIN DIMENSIONS		SEE CHART		SHEET NO. 2 2	
		THIS DRAWING CONTAINS INFORMATION THAT IS PROPRIETARY TO MOLEX INCORPORATED AND SHOULD NOT BE USED WITHOUT WRITTEN PERMISSION					